

Wireless AC Relay

Technical Overview



B-Scada™ Wireless AC Relay

Key Features

- Allows remote power switching of electrical devices
- Plug and Sense capability
- Cloud Monitoring using any browser (including on mobile devices)
- LED status indicator
- Supports 915, 868 and 433 MHz frequencies
- Self-hosted option for advanced users
- Uses AC power supply or two (2) AA batteries

General Description

The B-Scada™ Wireless AC Relay allows remote power switching of electrical devices such as water pumps and fans.

Turn on or off a device at a moment's notice wherever you are in the world.

With B-Scada's cloud monitoring, you can easily view sensor data and set alarms using any web browser (including on mobile devices).

Power

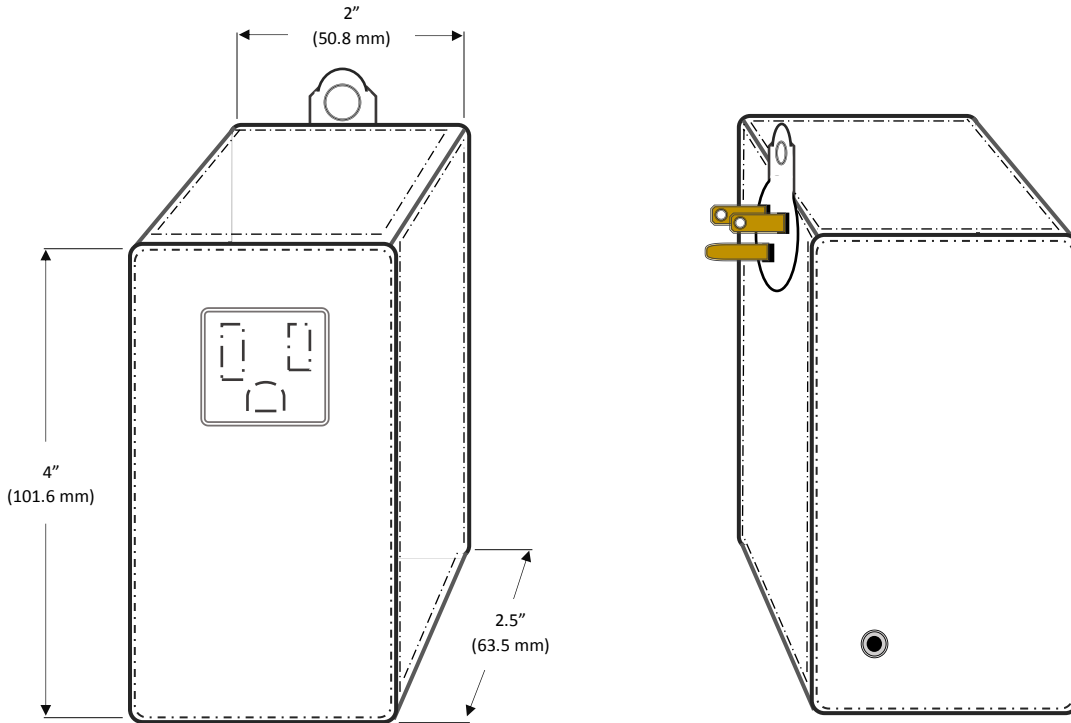
Plug this sensor to a power outlet.

Frequency

The B-Scada™ Wireless AC Relay supports RF technologies including 915, 868 and 433 MHz sensor solutions.

Applications

- Water Pumps
- Lights
- Fans
- Conveyors
- Any other device powered by alternating current



B-Scada™ Wireless AC Relay Specifications	
General	
Number of Ports	1 Port: Serial
Sensor Type	Wireless AC Relay
Radio	
Frequency	915 MHz 868 MHz 433 MHz
Antenna	External
Range	Approx. 200m – 400m (625 ft. – 1350 ft.)*
Visual Indicators	
LED	1 LED: Connection Status**
Mechanical	
Enclosure	Plastic
Dimensions	50.8 x 63.5 x 101.6 mm
Weight	5.75 ounces
Environmental	
Operating Temperature	-7° C to 60° C (20° F to 140° F)
Certification	CE

* Actual range may vary depending on environment.

** A blinking LED light indicates a successful connection to the gateway.

Notice:

Do not use this product under conditions where there is presence of corrosive gas or deoxidizing gas, flammable gas, dusty conditions, wet or excessively humid locations and other hazardous conditions.

Higher temperature may cause deterioration that will shorten the life of the sensor.



Tel: +1.352.564.9610 Ext. 311

Cell: +1.352.422.5623

9030 W Fort Island Trail

Plantation Village

Building 9

Crystal River, FL 34429

<http://www.scada.com>

Complies with FCC and Industry Canada Standards